



MODULAR 3-WAY VALVE

R-301

3-Way Valve

Features:

- Indicator shows valve in shaded position
- Multiple porting speeds piping
- Micro gap construction - snap action and no blow by
- Balanced design allows speed control at exhausts

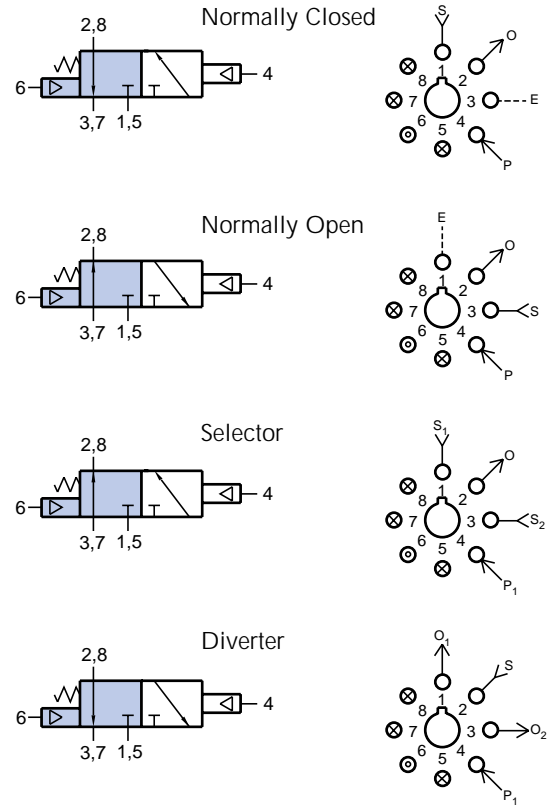
Performance:

Flow (SCFM @ 100 psig).....9
 Pilot pressure (psig) Minimum.....40
 Temperature.....32° to 180° F
 Working pressure.....vacuum to 150



Description:

R-301 is a 3-way, spring return, fully ported, piloted valve. It can be used normally-OPEN, normally-CLOSED, as a diverter or as a selector. It can also be used as a 2-way valve by plugging the exhaust ports.



R-302

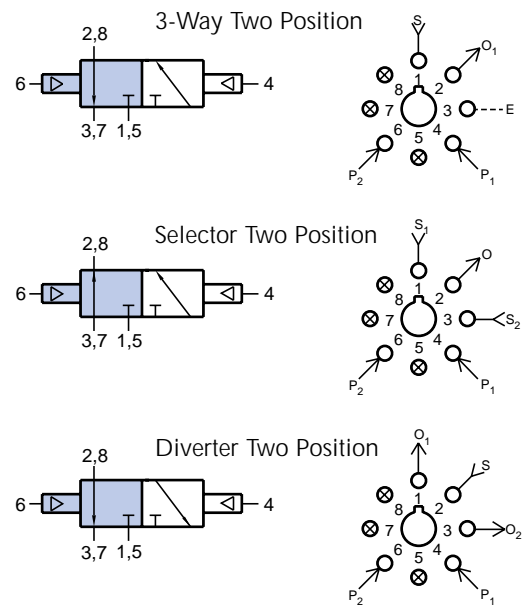
3-Way Valve

Features:

- Indicator shows valve in shaded position
- Multiple porting speeds piping
- Micro gap construction - snap action and no blow by
- Balanced design allows speed control at exhausts

Performance:

Flow (SCFM @ 100 psig).....9
 Pilot pressure (psig) minimum.....20
 Temperature.....32° to 180° F
 Working pressure.....0 to 150



Description:

R-302 is a 2-position, 3-way, double-piloted, fully-porting valve. It can be used normally-OPEN, normally-CLOSED, as a 2-position diverter, as a 2-position selector, or as a 2-way valve by plugging the exhaust ports.